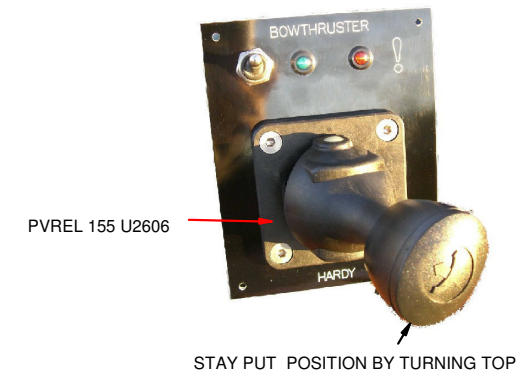
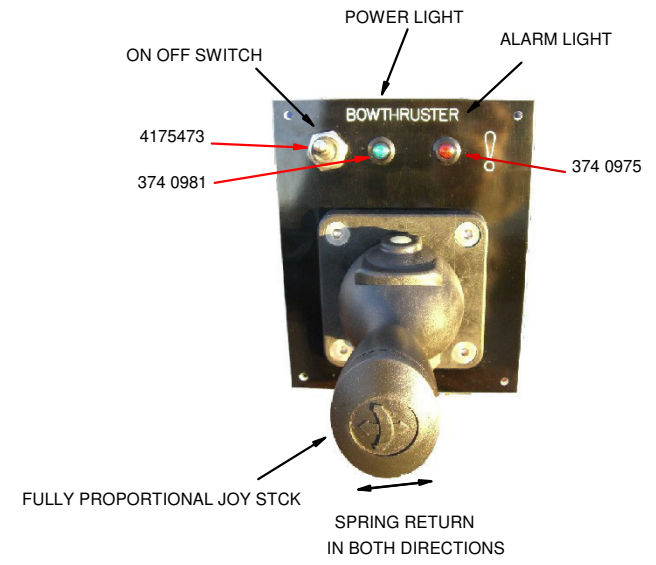
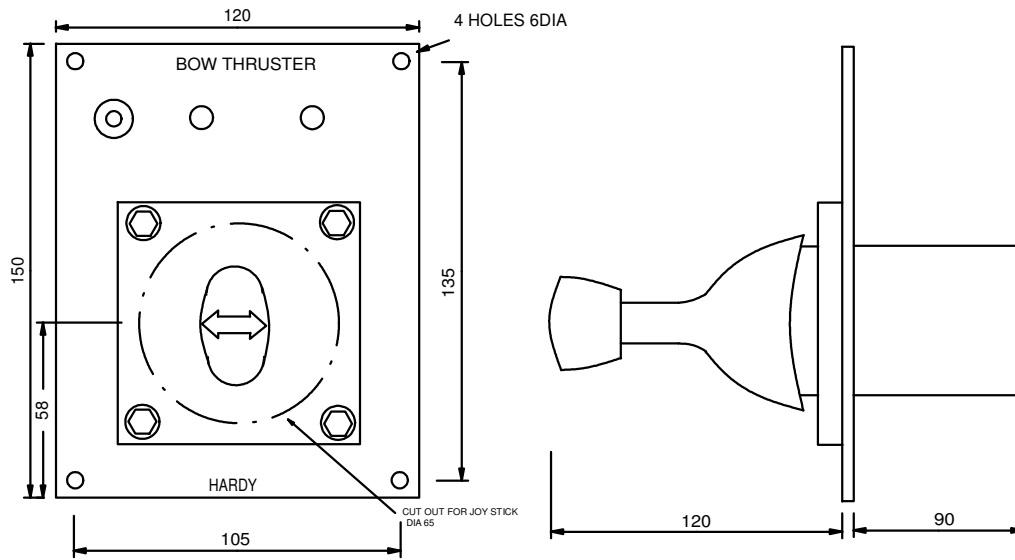


IF IN DOUBT PLEASE ASK



				DIMENSIONS	MM
				SCALE	NTS
				DRN	JWH
ISSUE	ALTERATION	DATE	DRN	DATE	18/02/99

TORKMASTER
HARDY ENGINEERING LTD
 FOUNDRY LANE, BURNHAM - ON - CROUCH
 Tel: 01621 782726 Fax: 01621 785645

REF

TITLE	PROPORTIONAL PANEL	
NO:	PPPROP04	ISSUE: 1