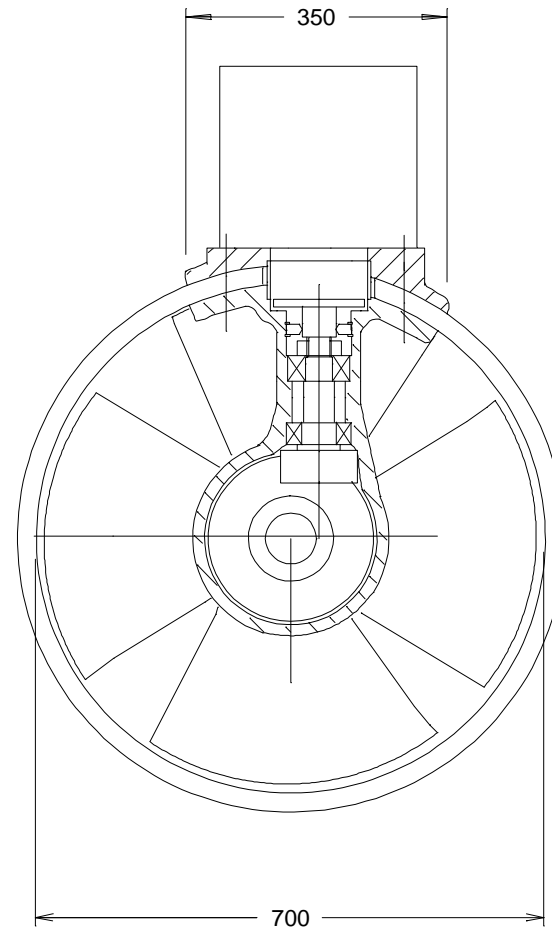
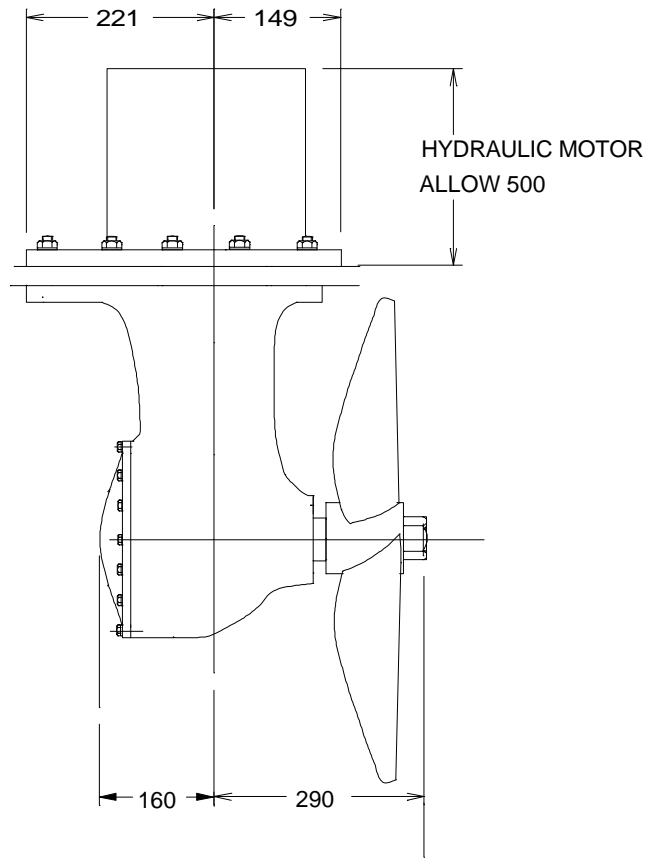


IF IN DOUBT PLEASE ASK

MOTOR SELECTED DEPENDING
UPON PRESSURE AND FLOW
OPEN OR CLOSED LOOP



				DIMENSIONS	MM	TORKMASTER FOUNDRY LANE BURNHAM ON CROUCH ESSEX ENGLAND Tel: 01621 782726 Fax: 01621 785645	REF	TITLE	150 HP GA		
			SCALE	NTS					NO:	TS150G01	ISSUE:
ISSUE	ALTERATION	DATE	DRN	DATE	20/01/99			THRUSTERS			1