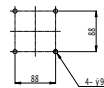


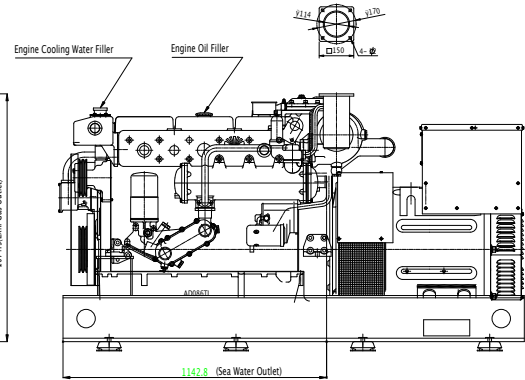
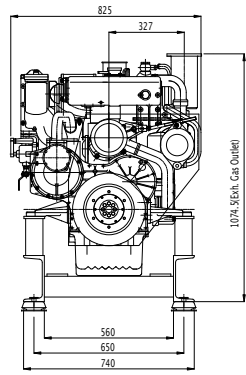
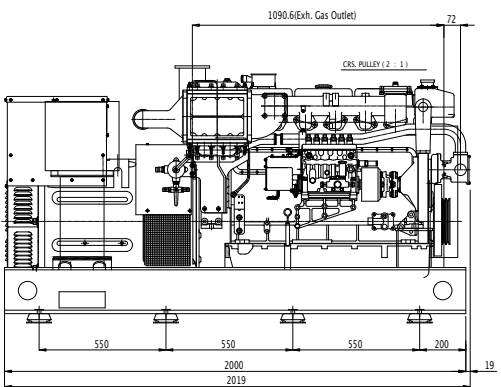
CONTINUOUS RATING

Hz	60Hz	50Hz
KVA	210	170
KW	168	136



View "A" Rubber Cushion Mounting holes

E
D
C
B
A



DOOSAN **DOOSAN**
Infracore

K2 power (주) **K2 파워**
K2 POWER LIMITED

778, Wonshi-Dong, Ansan-Si, Kyunggi-Do, Korea

DRAWN BY	DESIGNED BY
CHECKED BY	APPROVED BY

TK JUNG
2005.03.16

362
2005.03.16

MODEL	MC210
TITLE	MARINE GENSET ASS'Y(AD086GTI+ECO38-3S)

DRAWING NO.	68.00508-7076
W.T	SCALE