



Marine Diesel Engine

L136TI

Daewoo Heavy Industries has made a fresh start as **Doosan Infracore**.

- Compact Design
- Excellent Performance
- Super Low Fuel Consumption
- Easy Maintenance



- Continuous Rating (BHP)
 - 169kW (230PS)
- Displacement
 - 8,071cc
- Dimension (L×W×H)
 - 1,182×825×925mm
 - Without Reduction Gear

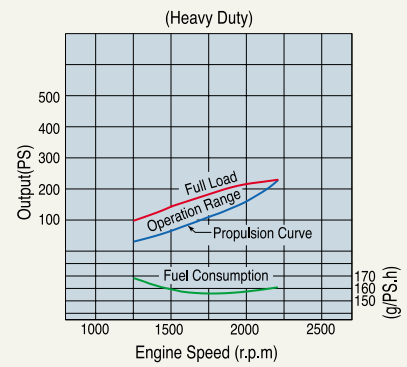


Infracore

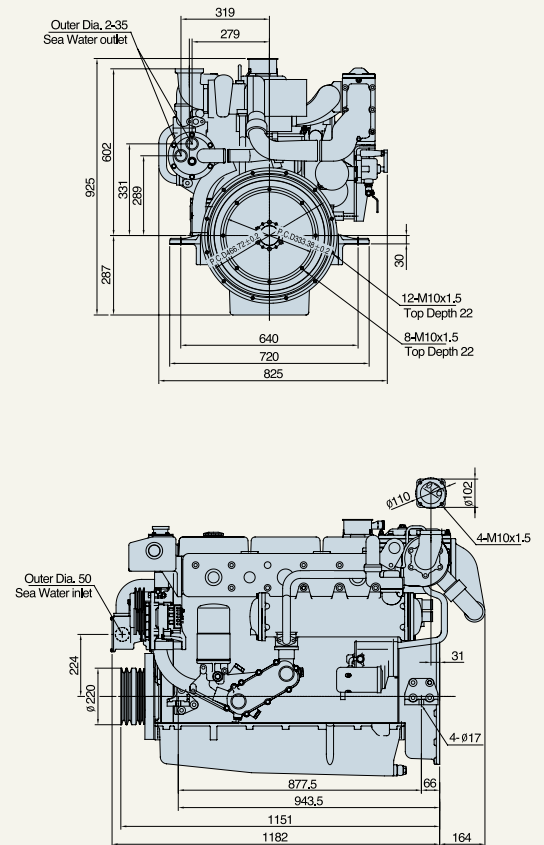
Main Specification

Model		Units	L136TI
Engine type			4cycle, In line, direct-injection, watercooled, with turbo-inter cooler
Rating output (B.H.P)		KW(PS)/rpm	169(230) / 2,200
Displacement		cc	8,071
Cylinder number - bore (φ) × stroke		mm	6 - φ 111 × 139
Valve clearance at cold	In / Ex	mm	0.3 / 0.3
Low idling rpm		rpm	725 ± 25
No load max. rpm		rpm	below 2,400
Mean effective pressure		kg / cm ²	11.66
Mean piston speed		m / sec.	10.19
Compression ratio			16.7 : 1
Firing order			1 - 5 - 3 - 6 - 4 - 2
Compression pressure	At 200rpm	kg / cm ²	28 (Initial condition)
Governor type of injection pump			Mechanical all speed (R.S.V)
Fuel consumption		g / PS.h	162
		Lit/h	45
Injection timing(B.T.D.C)		deg	14° ± 1°
Fuel inj. nozzle opening pressure		kg / cm ²	214+8
Starting system			Electric Starting by starter motor
Starter motor capacity		V - kW	24 - 4.5
Alternator capacity		V - A	24 - 50
Battery		V - Ah	24 - 120
Cooling system			Indirect sea water cooling with heat exchanger
Cooling water capacity	Max. / Min.	lit	27 / 25
Fresh water pump type			Centrifugal type, driven by V-belt
Sea water pump type			Rubber impeller type, driven by gear
Lubricating oil (Engine)	Pan capacity	lit	Max : 23, Min : 17 (Engine total : 25)
	Pressure	kg / cm ²	Full : 3.5, Idle : 1.2
Marine gear	Gear ratio		1.77 2.09 2.42 2.82 3.19
Direction of revolution	Crankshaft		Counter clockwise viewed from stern side
	Propeller		Clockwise viewed from stern side
Engine Size (L×W×H)	Without M/G	mm	1,182×825×925
	With M.gear	mm	1,552×825×1,001
Engine dry weight	Without M/G	kg	773
	With M.gear	kg	994

Performance Curve



Engine Dimension



L136TI(July/05)



Infracore

Seoul Office : Overseas Marketing & Sales
 Engine & Material BG
 Doosan Infracore Co., Ltd.
 22nd Floor, Doosan Tower, 18-12, Euljiro 6-ga,
 Jung-gu, Seoul, Korea.
 Tel : +82-2-3398-8534
 Fax : +82-2-3398-8509
 Web site : <http://iv.doosaninfracore.com>

AUTHORIZED DEALER

* Specifications are subject to change without prior notice.