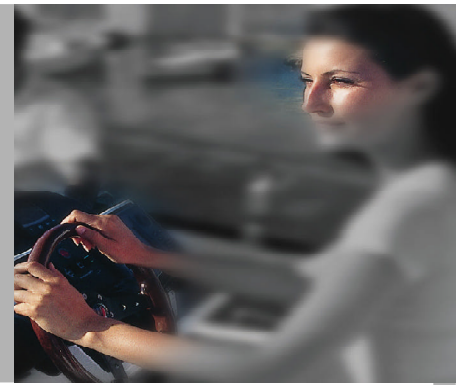


# SIDE-POWER

## Thruster systems



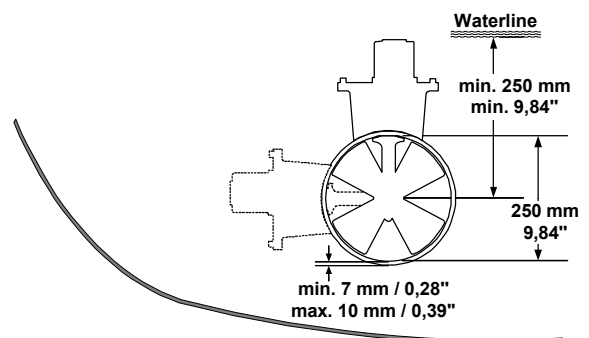
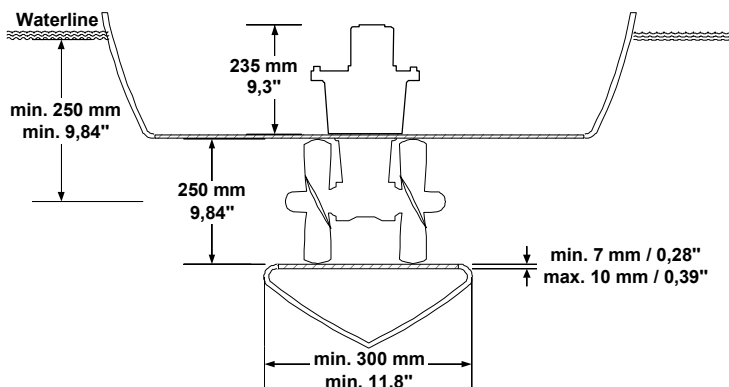
# SP 220 HYD



### MAIN FEATURES

Light duty thrust	220 kg / 484 lbs.
Heavy duty thrust	200 kg / 440 lbs.
Tunnel diameter	250 mm / 9,84"
Propulsion system	Counter rotating
Hydraulic power*	18,7 kW / 25,1 Hp
Propeller output	15 kW / 20,1 Hp
Hydraulic motors	14,5 / 19,5 ccm
Flow rating up to	50 / 67 lit./min.
Pressure drop up to	224 / 167 bar
Weight	15,9 kg / 35,0 lbs.

\* most hydraulic thrusters are rated at their necessary hydraulic power supply



**Sleipner Motor AS**

P.O. Box 519  
N-1612 Fredrikstad  
Norway

Tel: +47 69 30 00 60  
Fax: +47 69 30 00 70

[www.side-power.com](http://www.side-power.com)  
[sidepower@sleipner.no](mailto:sidepower@sleipner.no)

