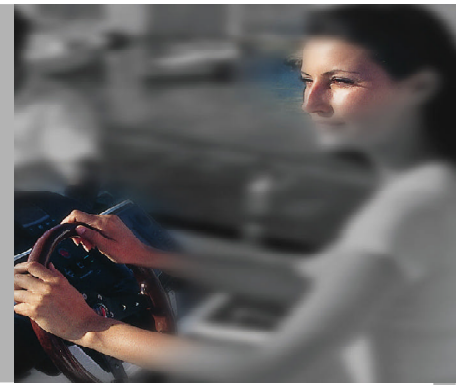


SIDE-POWER

Thruster systems



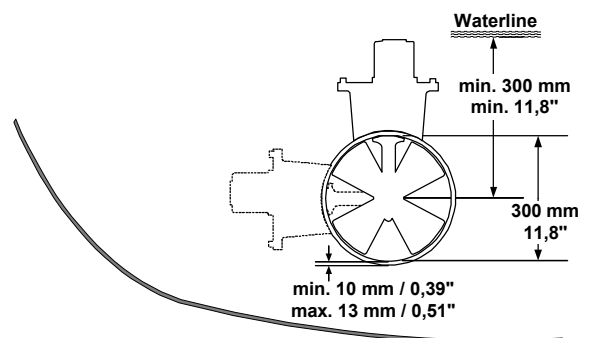
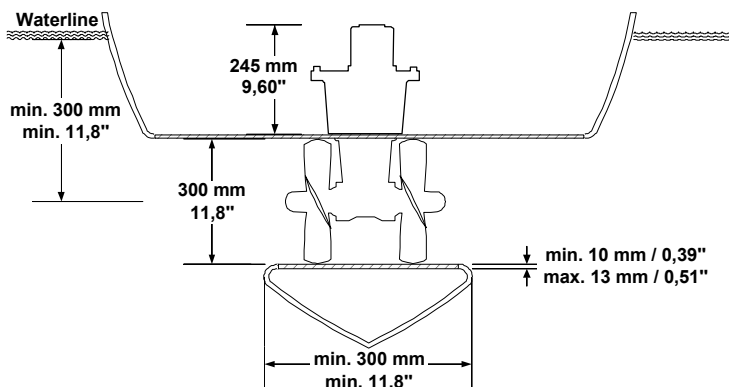
SP 300 HYD



MAIN FEATURES

Light duty thrust	300 kg / 660 lbs.
Heavy duty thrust	270 kg / 594 lbs.
Tunnel diameter	300 mm / 11,8"
Propulsion system	Counter rotating
Hydraulic power*	23 kW / 30,8 Hp
Propeller output	18,4 kW / 24,7 Hp
Hydraulic motors	19,5 ccm
Flow rating up to	57 lit./min.
Pressure drop up to	242 bar
Weight	19,5 kg / 42,9 lbs.

* most hydraulic thrusters are rated at their necessary hydraulic power supply



Sleipner Motor AS

P.O. Box 519
N-1612 Fredrikstad
Norway

Tel: +47 69 30 00 60
Fax: +47 69 30 00 70

www.side-power.com
sidepower@sleipner.no

