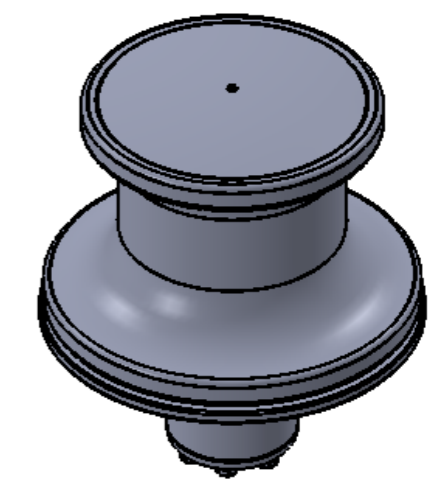
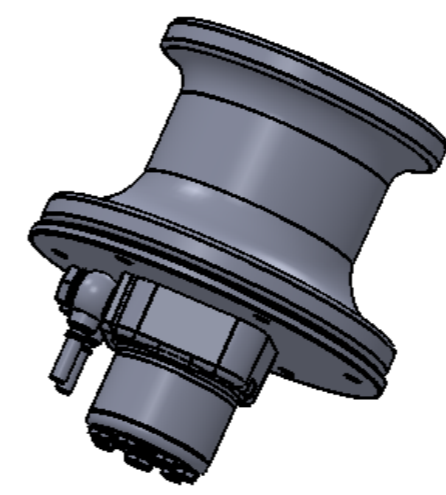
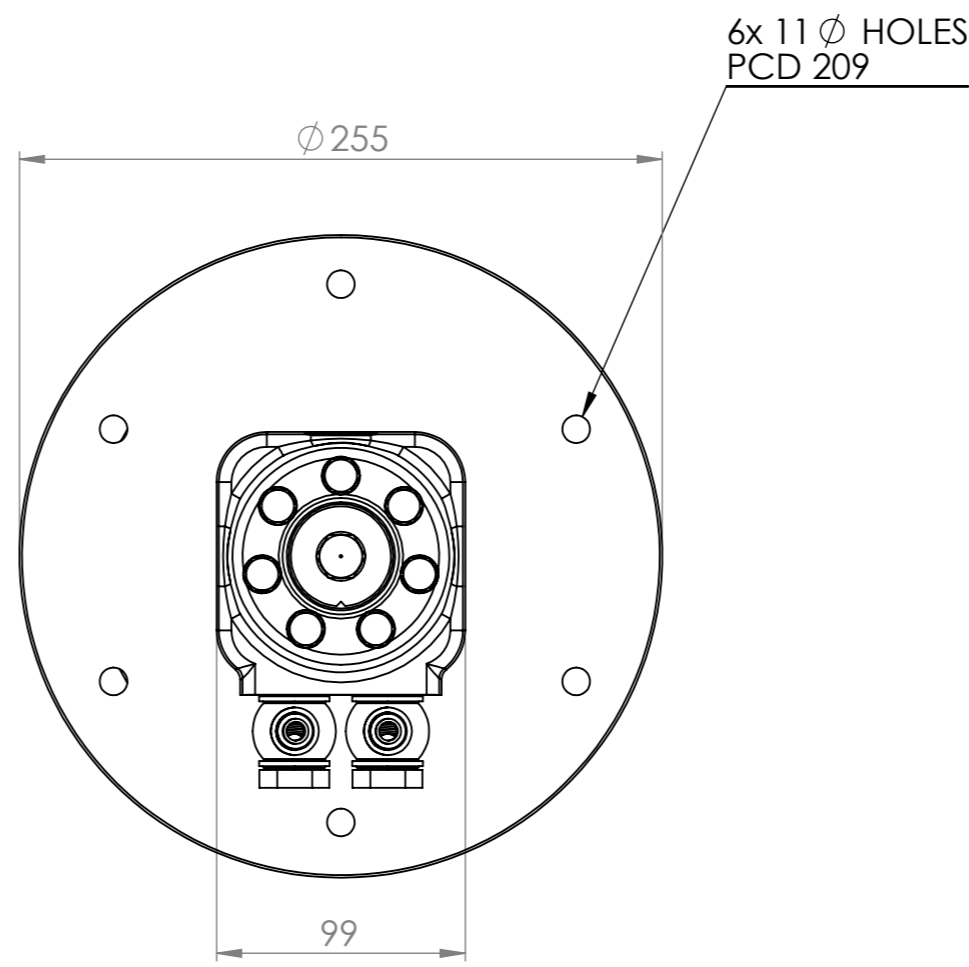
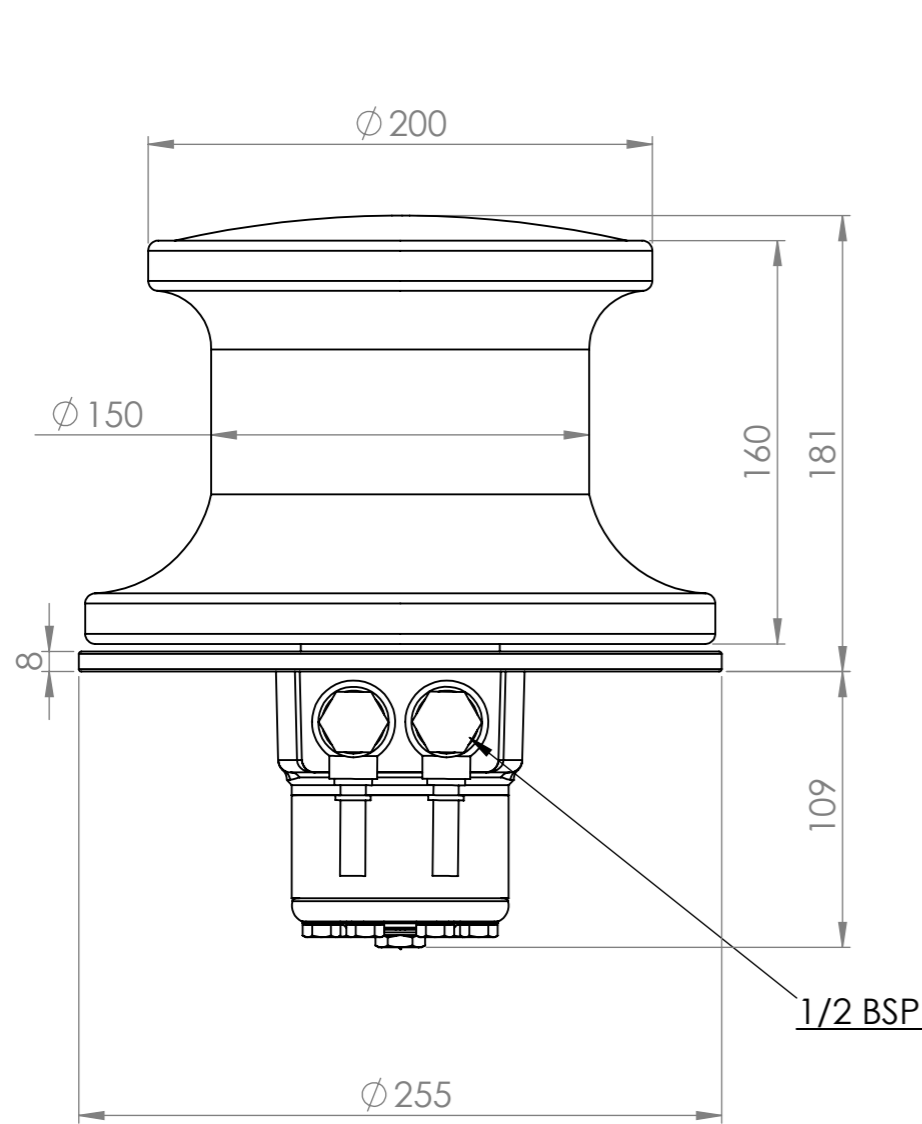


IF IN DOUBT PLEASE ASK



MODEL.

900
500 S
C150/250/H/A

CAPSTAN ——— MATERIAL: S = STAINLESS STEEL
A = ALUMINIUM

DRUM WAIST DIA ——— HYDRAULIC

PULL (kg)

				PROJECTION:	<p>UNIT D, MILDMAY IND EST, FOUNDRY LANE BURNHAM ON CROUCH, ESSEX, CM0 8SH TEL: 00 44(0)1621 782726 FAX: 00 44(0)1621 785645 email@hardyengineering.com</p>	REF:	TITLE: 150 ϕ HYDRAULIC CAPSTAN	
				STATUS:				
				DRAWN: LB				
				DATE:				
01	ORIGINAL	CP	12/12/11	DATE:			DWG NO.: C150-900HA	
ISSUE	ALTERATION	DRN	DATE				ISSUE: 01	