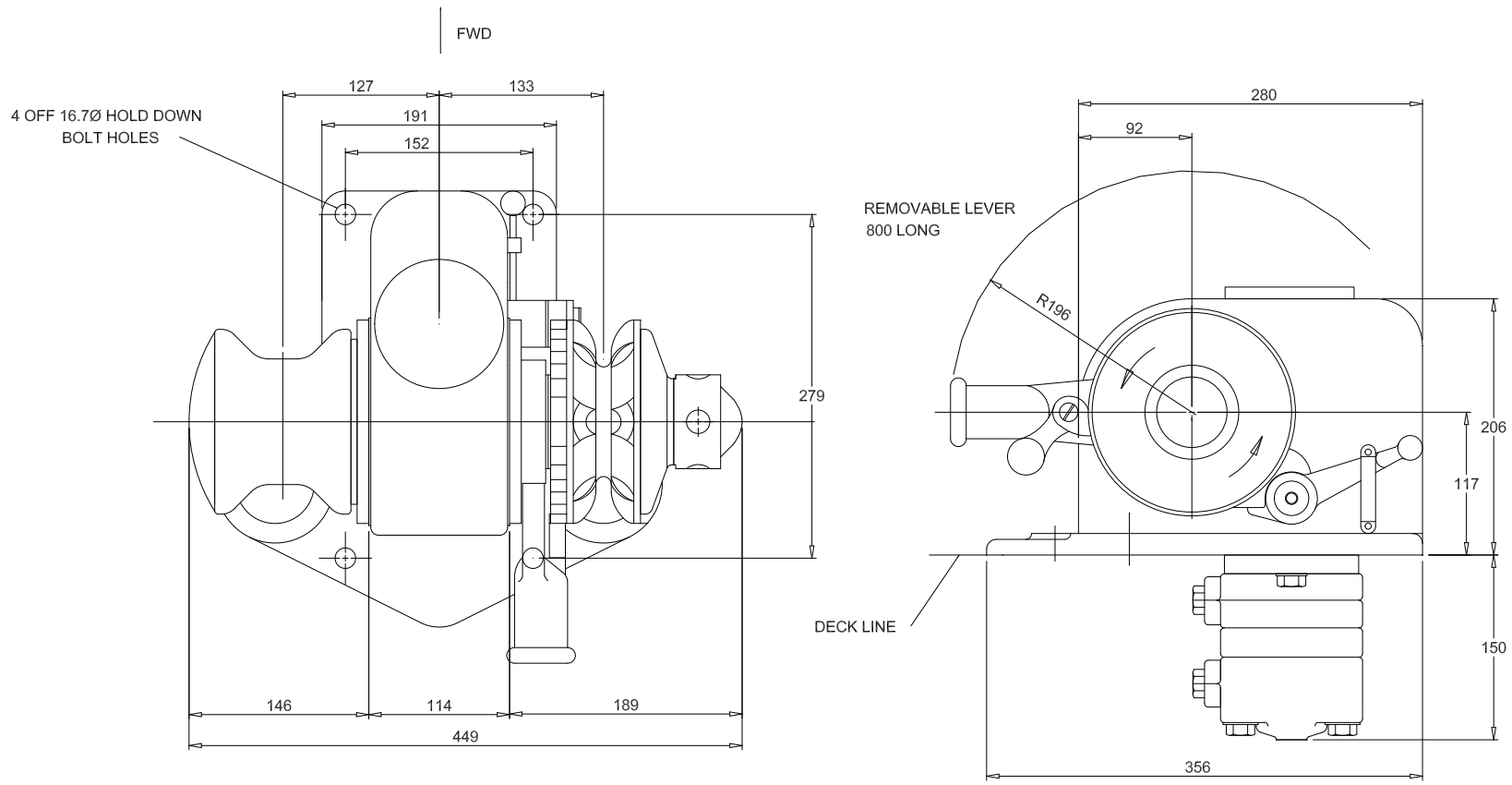


IF IN DOUBT PLEASE ASK



ISSUE	ALTERATION	DATE	DRN	DATE	PROJECTION
					STATUS
					DRN
					DATE

HARDY
 UNIT D MILDWAY IND EST, FOUNDRY LANE
 BURNHAM ON CROUCH, ESSEX. CM08SH
 TEL: 00 44 (0) 1621 782726 FAX: 00 44 (0) 1621 785645

REF	
-----	--

TITLE	M2 WINDLASS
NO:	M2 DG H
ISSUE:	1