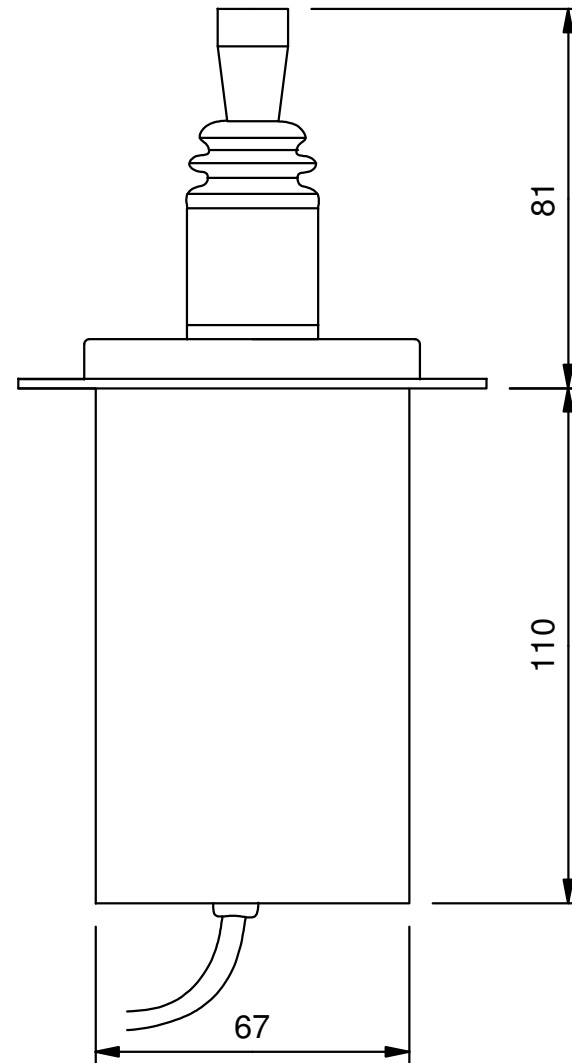
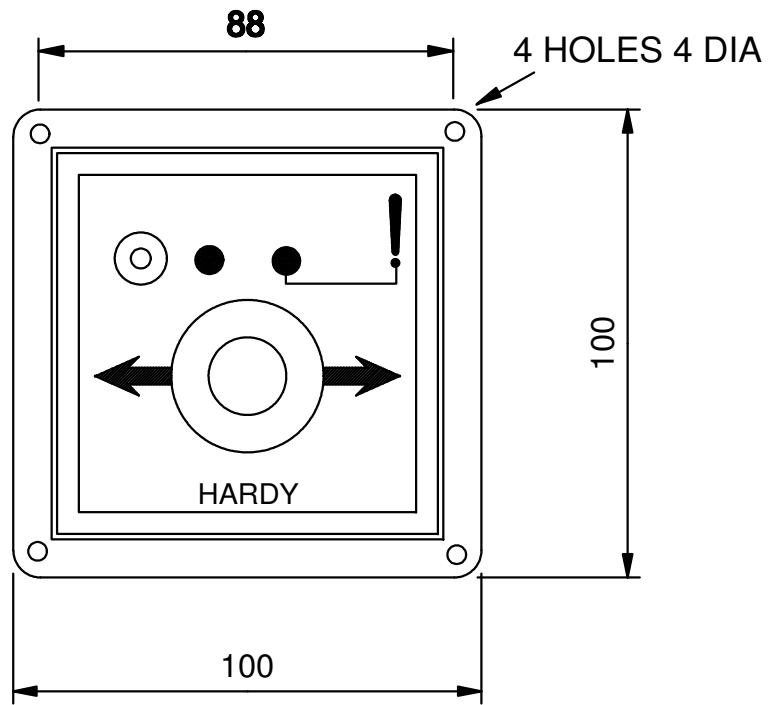


IF IN DOUBT PLEASE ASK



ISSUE	ALTERATION	DATE	DRN	DATE	DIMENSIONS	MM
3	MOUNTING HOLE DIMS ADDED	15/11/99	jwh		SCALE	NTS
2	side veiw added	07/05/99	jwh		DRN	JWH
				18/02/99		

TORKMASTER
HARDY ENGINEERING LTD
 FOUNDRY LANE, BURNHAM - ON - CROUCH
 Tel: 01621 782726 Fax: 01621 785645

REF	
-----	--

TITLE	ON OFF PANEL	
NO:	PA 01	ISSUE:
		3