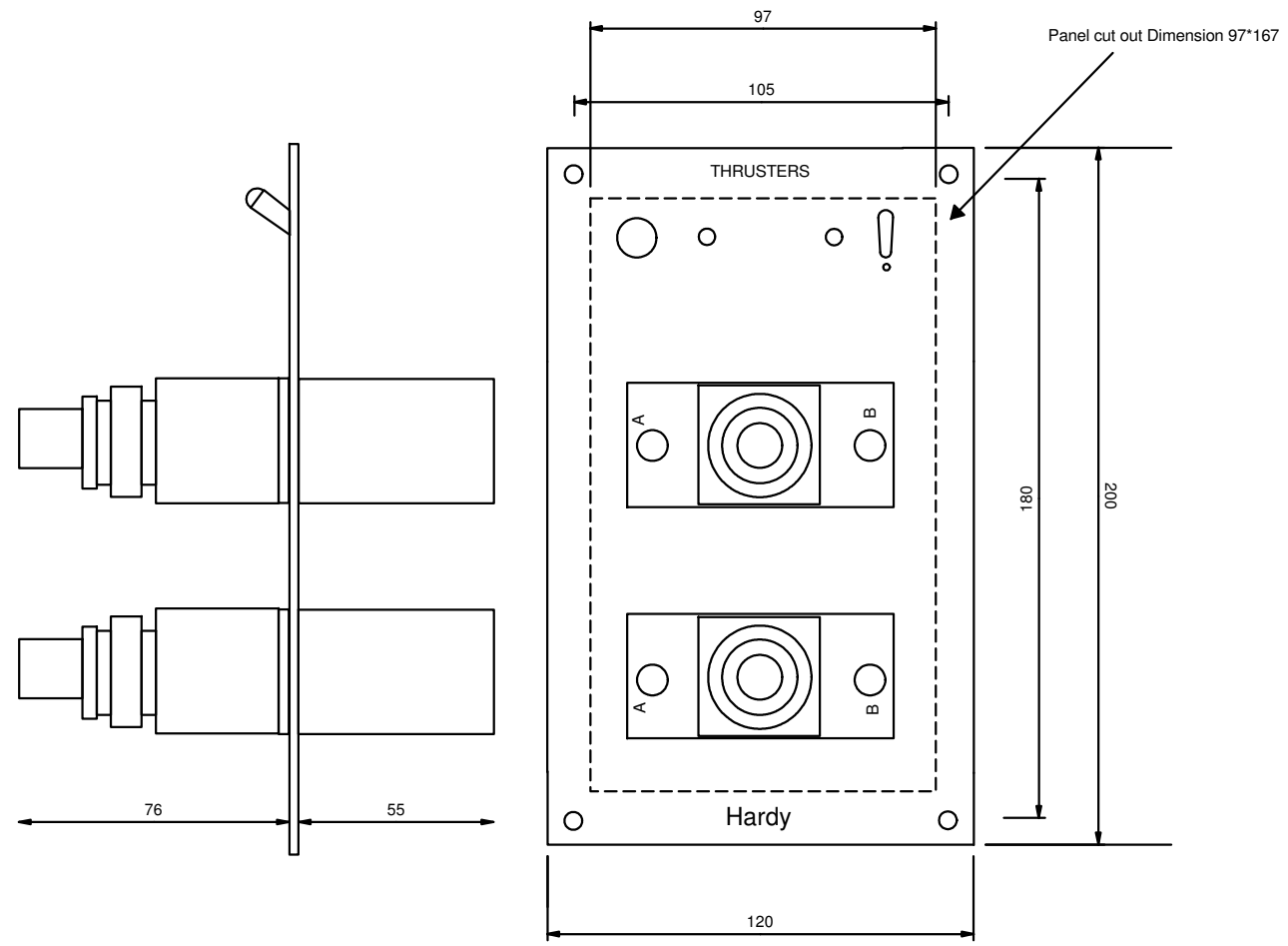


IF IN DOUBT PLEASE ASK



				PROJECTION STATUS DRN		HARDY UNIT D MILDWAY IND EST, FOUNDRY LANE BURNHAM ON CROUCH, ESSEX, CM08SH TEL: 00 44 (0) 1621 782726 FAX: 00 44 (0) 1621 785645	REF	TITLE COMPACK PROPORTION PANEL	
ISSUE ALTERATION				DATE DRN DATE				NO: PA PR COM 2 03	ISSUE: 1