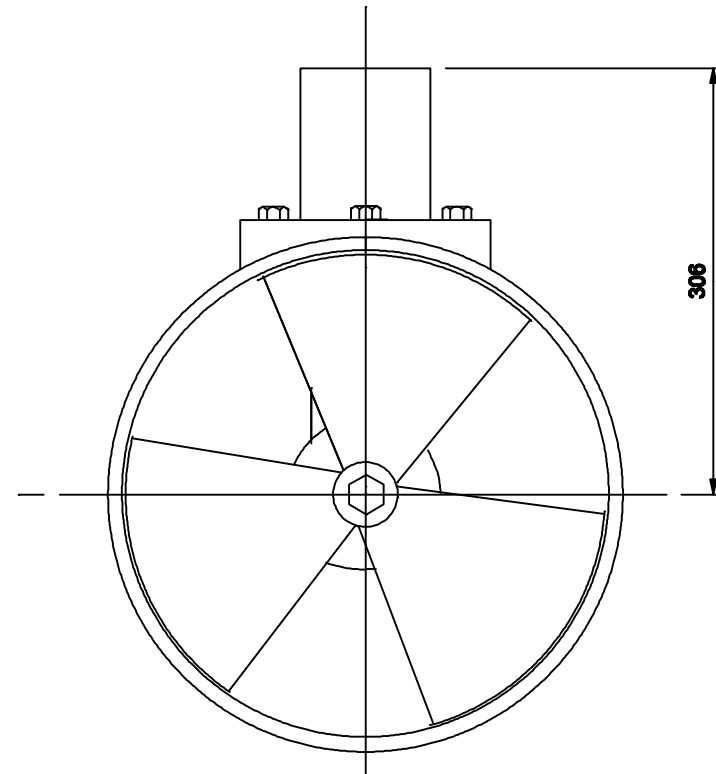
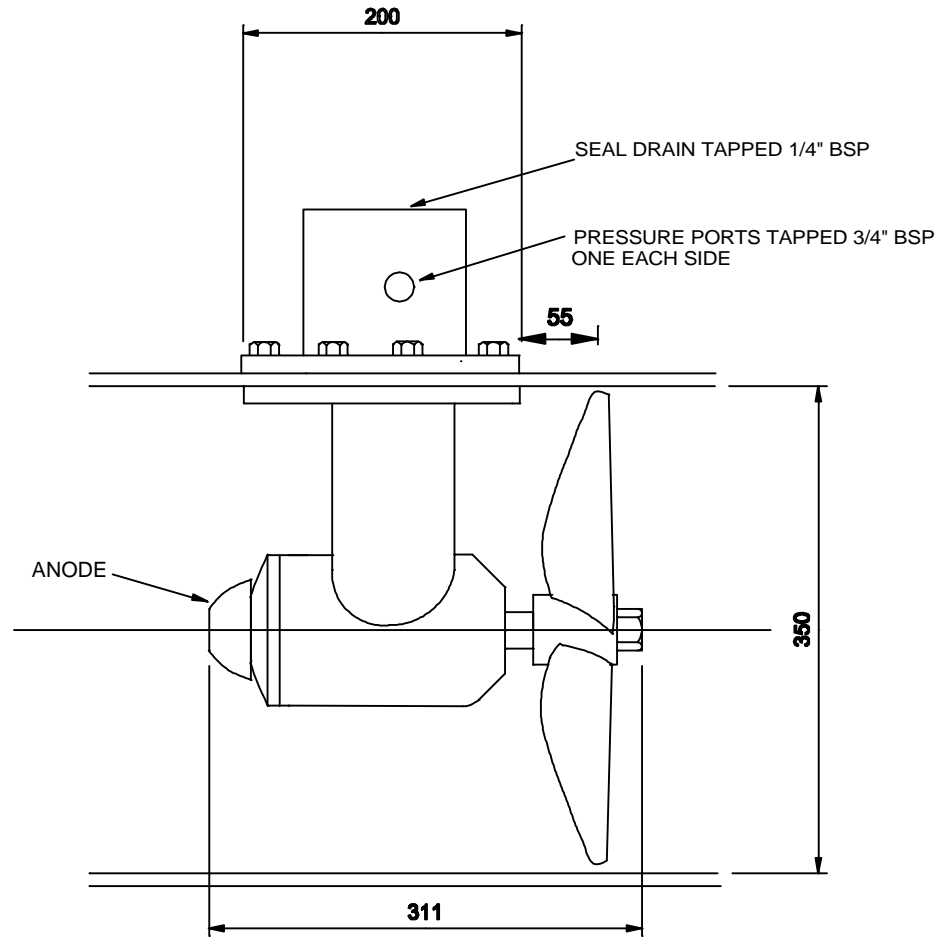


IF IN DOUBT PLEASE ASK



				DIMENSIONS	MM
				SCALE	NTS
2	ANODE ADDED	10/03/99	JWH	DRN	JWH
ISSUE	ALTERATION	DATE	DRN	DATE	1/8/98

**TORKMASTER**  
 FOUNDRY LANE, BURNHAM - ON - CROUCH  
 Tel: 01621 782726 Fax: 01621 785645

REF	
-----	--

TITLE	25 HP THRUSTER	
NO:	TS025G01	ISSUE: 2