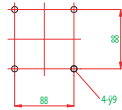


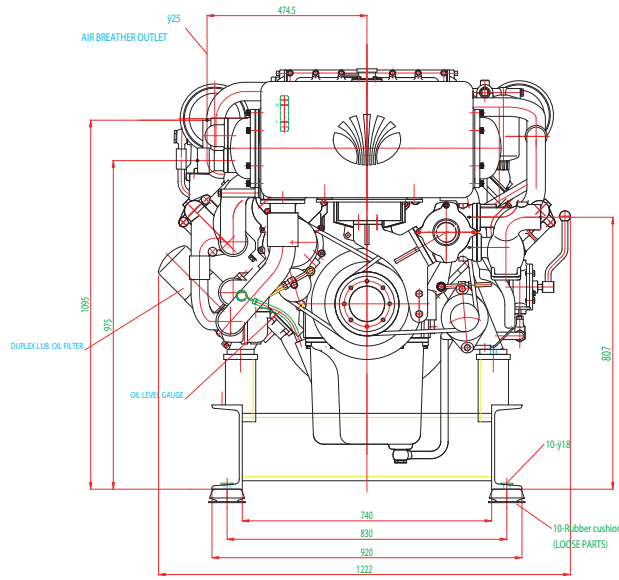
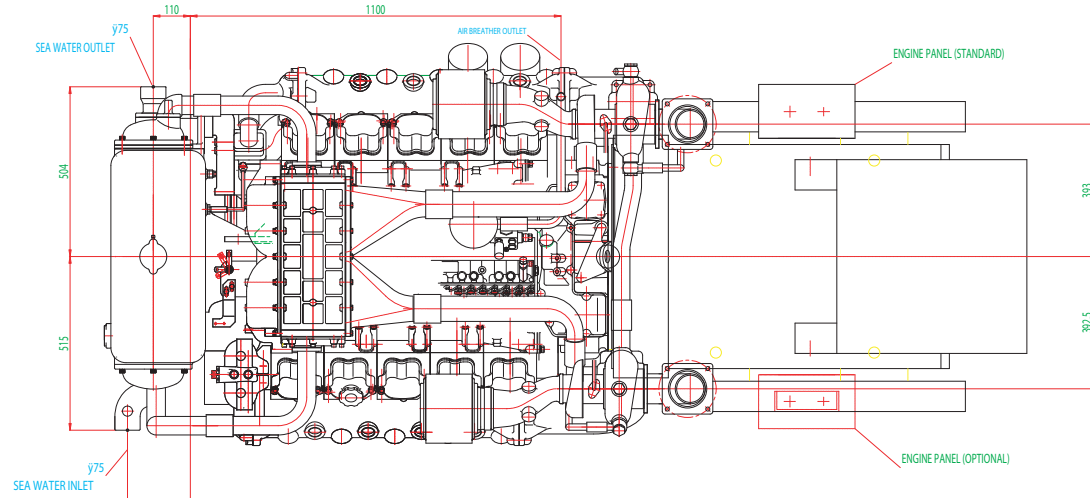
MARK	ISSUE NO.	DESCRIPTION	DATE	DRWN	DSND	CHKD	APPD
------	-----------	-------------	------	------	------	------	------

CONTINUOUS RATING

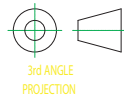
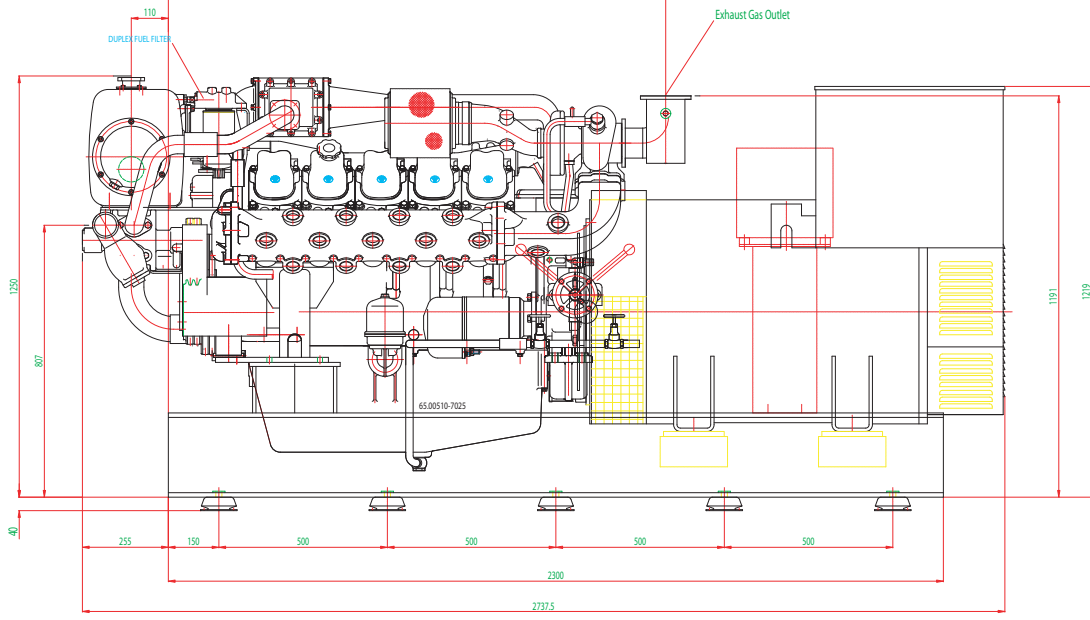
Hz	60Hz	50Hz
KVA	500	415
KW	400	332



View "A" Rubber Cushion Mounting holes



"A"



WATERMOTA LTD
CAVALIER ROAD, HEATHFIELD INDUSTRIAL ESTATE,
NEWTON ABBOT, DEVON TQ12 6TQ
01626 830910

DRAWN BY	DESIGNED BY
CHECKED BY	APPROVED BY

MODEL	MG500
TITLE	MARINE GENSET (AD180TH+ECO40-1L)

DRAWING NO.	68.00508-7	W.T	SCALE
-------------	------------	-----	-------

ALL DIMENSIONS IN MILLIMETRES UNLESS OTHERWISE STATED