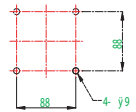


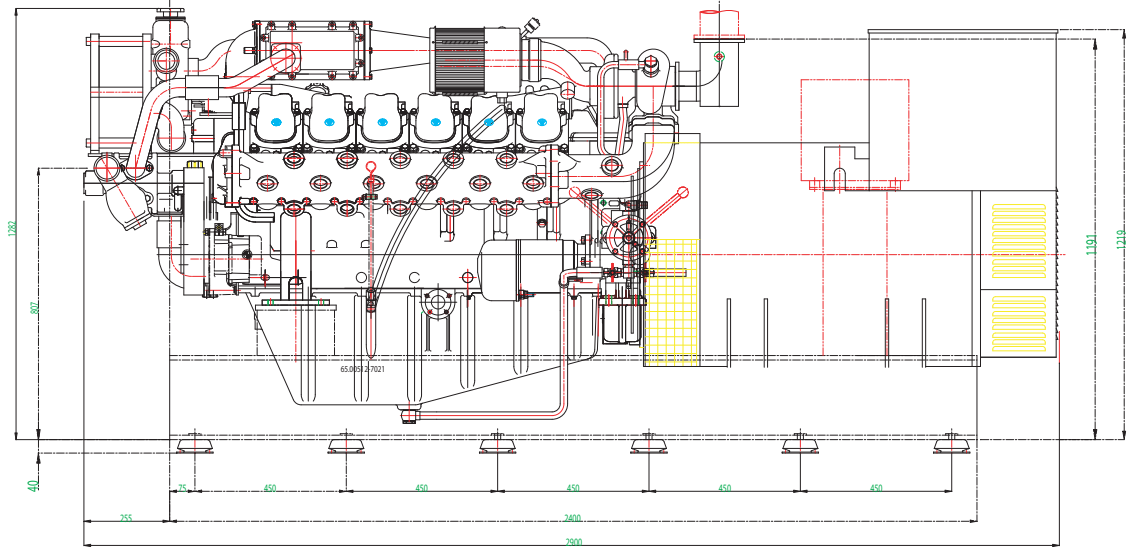
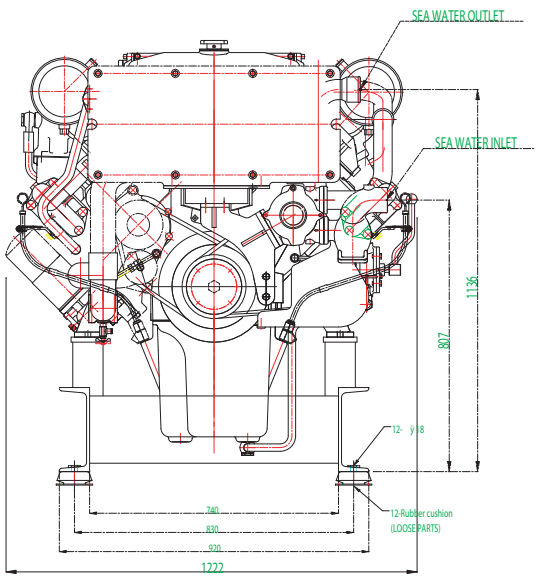
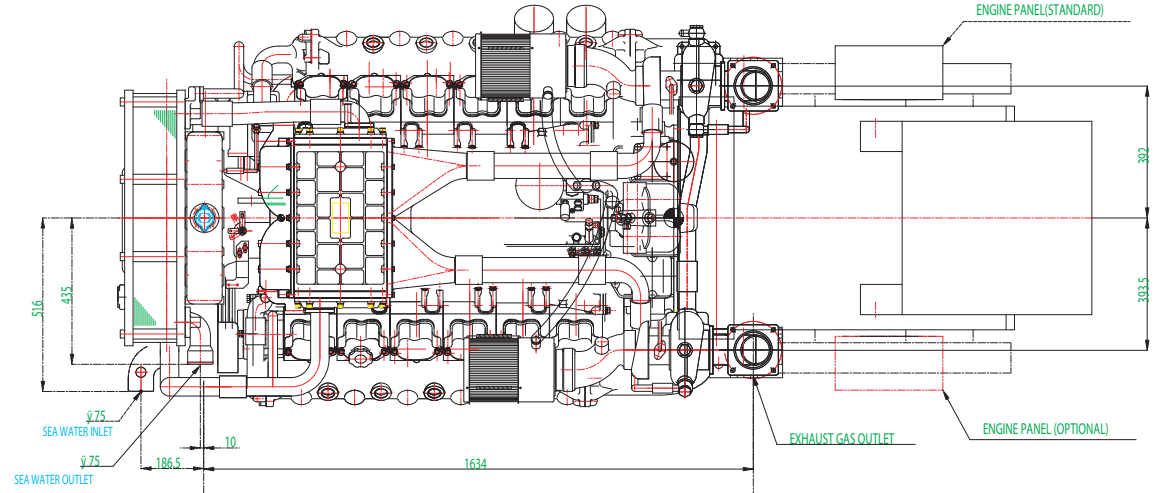
MARK	ISSUE NO.	DESCRIPTION	DATE	DRWN	DSND	CHKD	APPD
------	-----------	-------------	------	------	------	------	------

CONTINUOUS RATING

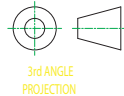
Hz	60Hz	50Hz
KVA	625	510
KW	500	408



View "A" Rubber Cushion Mounting holes



"A"



WATERMOTA LTD
CAVALIER ROAD, HEATHFIELD INDUSTRIAL ESTATE,
NEWTON ABBOT, DEVON, TQ12 6TQ
01626 830910

DRAWN BY	DESIGNED BY
CHECKED BY	APPROVED BY
	2004.11.04

MODEL	MG625
TITLE	MARINE GENSET (AD222TH+ECO40-2L)

DRAWING NO.	68.00508-7
-------------	------------

W.T	SCALE
=3619kg	1/16

ALL DIMENSIONS IN MILLIMETRES UNLESS OTHERWISE STATED