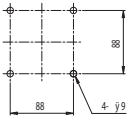


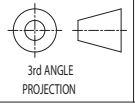
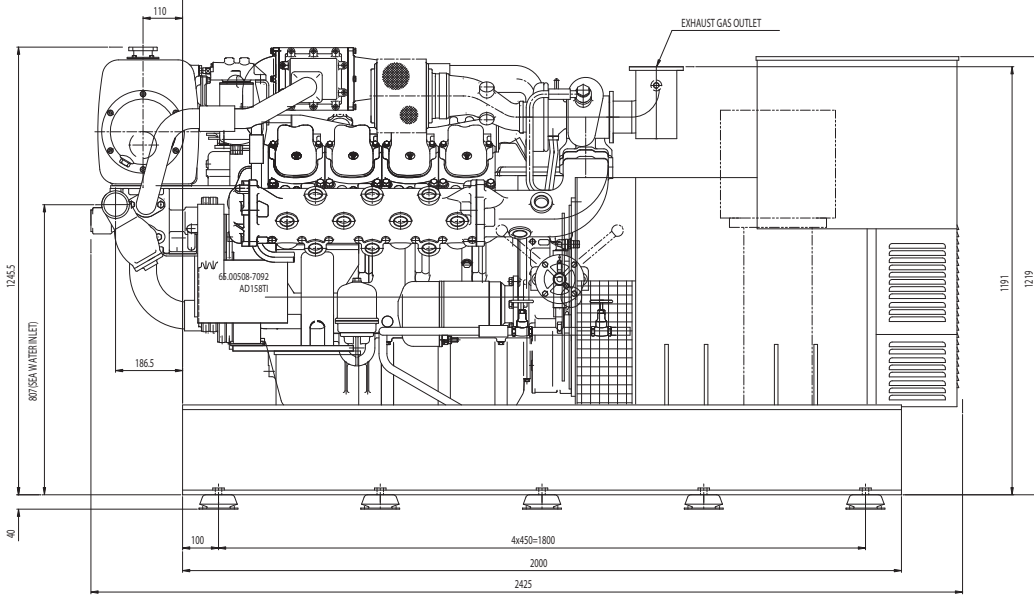
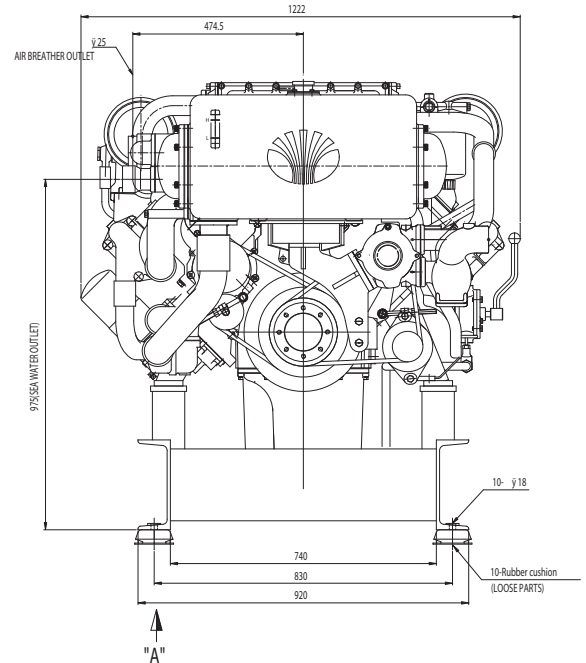
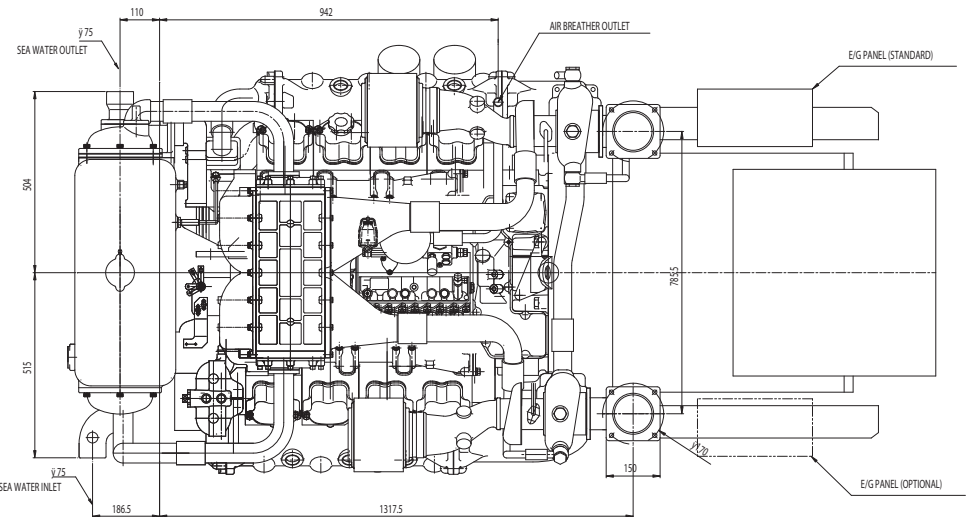
MARK	ISSUE NO.	DESCRIPTION	DATE	DRWN	DSND	CHKD	APPD
------	-----------	-------------	------	------	------	------	------

CONTINUOUS RATING

Hz	60Hz	50Hz
KVA	410	345
KW	328	276



View "A" Rubber Cushion Mounting holes



WATERMOTA LTD
 CAVALIER ROAD HEATHFIELD INDUSTRIAL ESTATE
 NEWTON ABBOT
 DEVON TQ12 1TQ
 tel: 01626 830910

DRAWN BY	DESIGNED BY
CHECKED BY	APPROVED BY

T.K. JUNG
 2002.4.19
 302
 2002.4.19

MODEL	PNZ
TITLE	MARINE GENSET (AD158TI+ECO40S)

DRAWING NO.	68.00508-7040
W.T	SCALE
≈2675kg	1/15

ALL DIMENSIONS IN MILLIMETRES UNLESS OTHERWISE STATED