



Marine Diesel Engine

V222TI

Daewoo Heavy Industries has made a fresh start as **Doosan Infracore**.

- *Compact Design*
- *Excellent Performance*
- *Super Low Fuel Consumption*
- *Easy Maintenance*

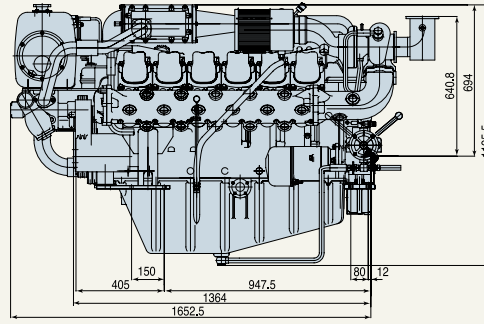
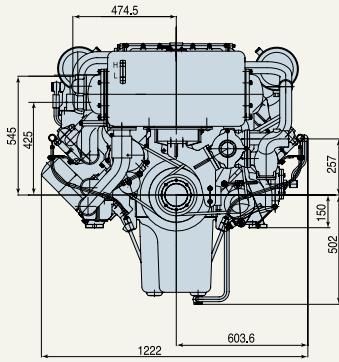


- Continuous Rating (BHP)
· 736kW (1,000PS)
- Displacement
· 21,927cc
- Dimension (L×W×H)
· 1,653×1,222×1,196mm
· Without Reduction Gear



Infracore

Engine Dimension

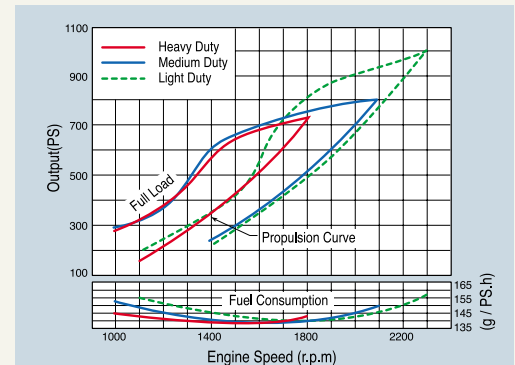


Main Specification

Model	Units	V222TI (D2842LB)		
		V222TIH	V222TIM	V222TIL
Engine type		4cycle, V type, direct-injection, water cooled, with wet turbo charger & inter-cooler		
Rating output (B.H.P)	kW(PS)/ rpm	530(720)/1,800	588(800)/2,100	736(1,000)/2,300
Displacement	c c	21,927		
Cylinder number - bore (φ) × stroke	mm	12 - φ 128 × 142		
Valve clearance at cold	In / Ex	0.25 / 0.35		
Low idling rpm	rpm	725 ± 25		
No load max. rpm	rpm	below 2,070	below 2,415	below 2,645
Compression ratio		15 : 1		14.6
Firing order		1 - 12 - 5 - 8 - 3 - 10 - 6 - 7 - 2 - 11 - 4 - 9		
Governor type of injection pump		Mechanical variable speed (R.Q.V)		
Fuel inj. nozzle opening pressure	kg / cm ²	286		
Starting system		Electric Starting by starter motor		
Starter motor capacity	V - kW	24 - 6.6		
Alternator capacity	V - A	24 - 50		
Battery	V - Ah	24 - 200		
Cooling system		Indirect sea water cooling with heat exchanger		
Cooling water capacity	Max. / Min.	lit 98 / 87		
Fresh water pump type		Centrifugal type, driven by V-belt		
Sea water pump type		Bronze impeller type driven by V-belt		
Lubricating oil (Engine)	Pan capacity	lit	Max : 40, Min : 33 (Engine total : 43)	
	Pressure	kg / cm ²	Full : 3.5, Idle : 1.2	
Marine gear	Gear ratio		2.06, 2.50, 2.92, 3.26, 3.53, 4.08, 4.52	
Direction of revolution	Crankshaft		Counter clockwise viewed from stern side	
	Propeller		Clockwise viewed from stern side	
Engine Size (L×W×H)	Without M/G	mm	1,653×1,222×1,196	
	With M/G	mm	2,263×1,222×1,250	
Engine dry weight	Without M/G	kg	1,750	
	With M/G	kg	2,460	

Performance Curve

- Heavy duty : 530kW(720PS)@1,800rpm
- Medium duty : 588kW(800PS)@2,100rpm
- Light duty : 736kW(1,000PS)@2,300rpm



Marine rating to ISO 3046

(1) Heavy Duty

- Operation hours : unlimited per year, unlimited per day
- Average load application : up to 85%
- Percentages of time at full load : up to 50%
- * Application : Fishing trawler, Tug boat, Pushing vessel, Cargo boat, Freighter, Ferry

(2) Medium Duty

- Operation hours : up to 2,000hr per year, up to 10hrs per day
- Average load application : up to 70%
- Percentages of time at full load : up to 30%
- * Application : Fishing trawler, Pilot boat, Escort boat, Passenger boat, Freighter, Ferry, Cruising vessel

(3) Light Duty

- Operation hours : up to 1,000hr per year, up to 5hrs per day
- Average load application : up to 50%
- Percentages of time at full load : up to 20%
- * Application : Fishing trawler, Pilot boat, Escort boat, Passenger boat, Freighter, Ferry, Cruising vessel



Infracore

Seoul Office : Overseas Marketing & Sales
 Engine & Material BG
 Doosan Infracore Co., Ltd.
 22nd Floor, Doosan Tower, 18-12, Euljiro 6-ga,
 Jung-gu, Seoul, Korea.
 Tel : +82-2-3398-8534
 Fax : +82-2-3398-8509
 Web site : <http://iv.doosaninfracore.com>

AUTHORIZED DEALER

* Specifications are subject to change without prior notice.

V222TI(July/05)